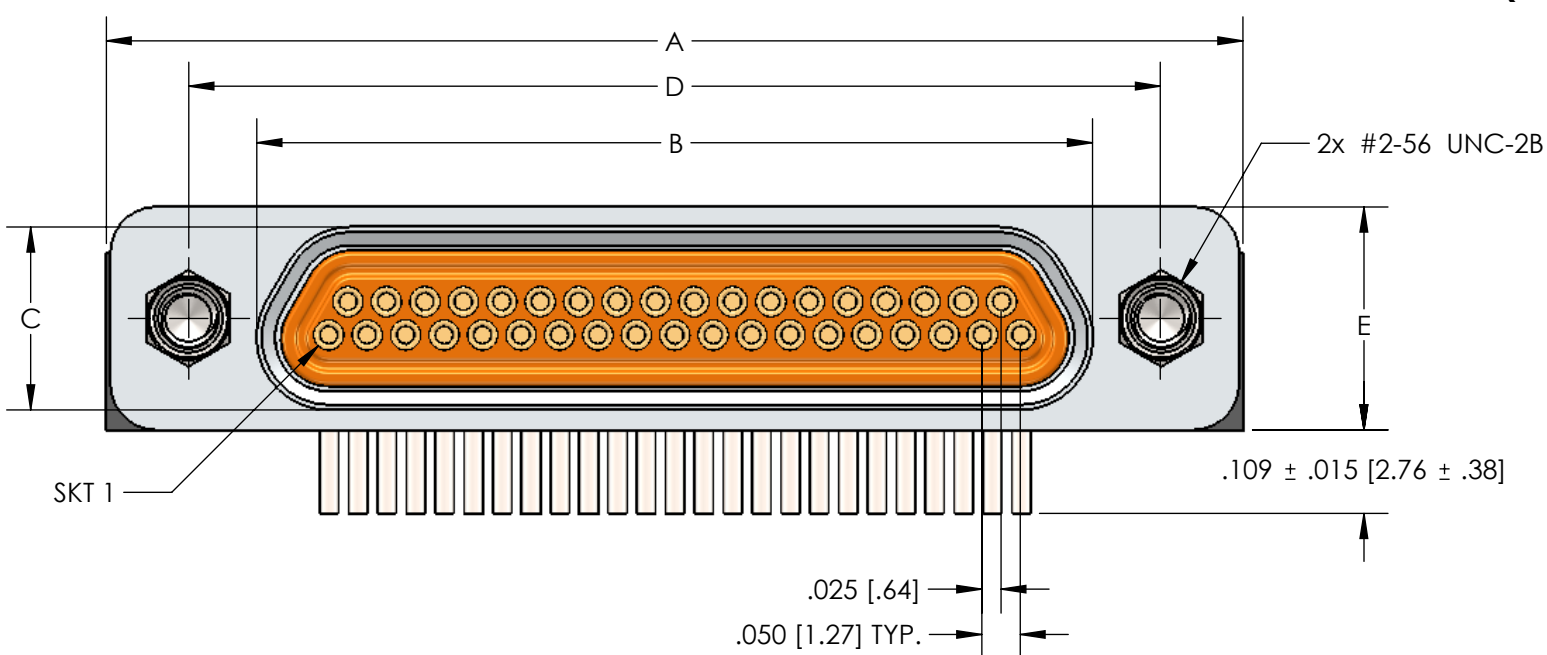
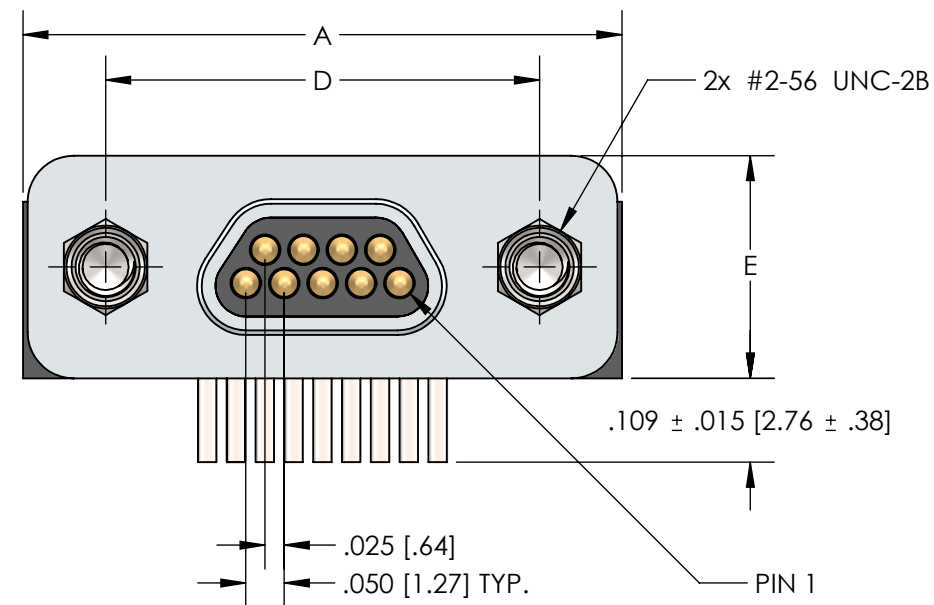
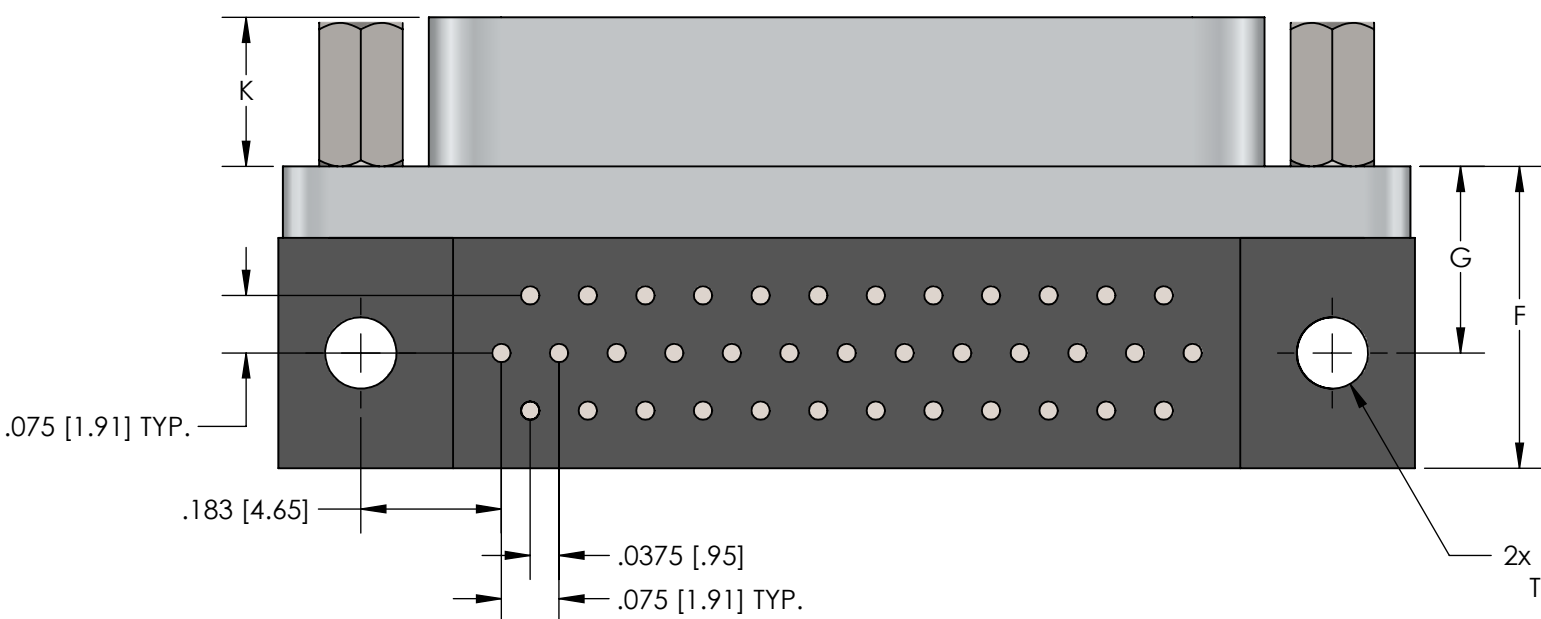
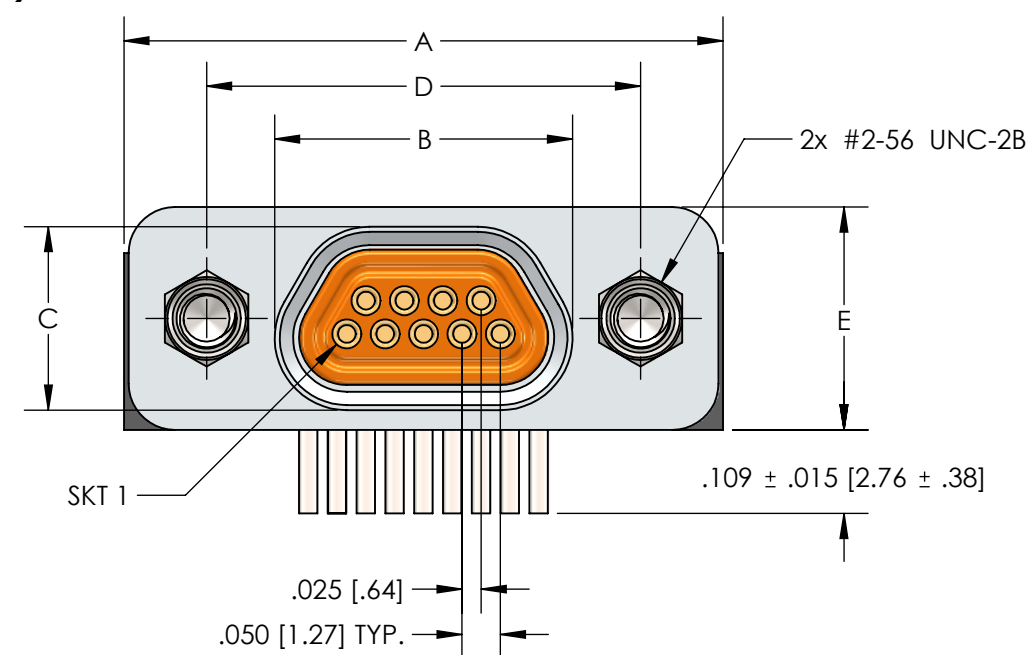


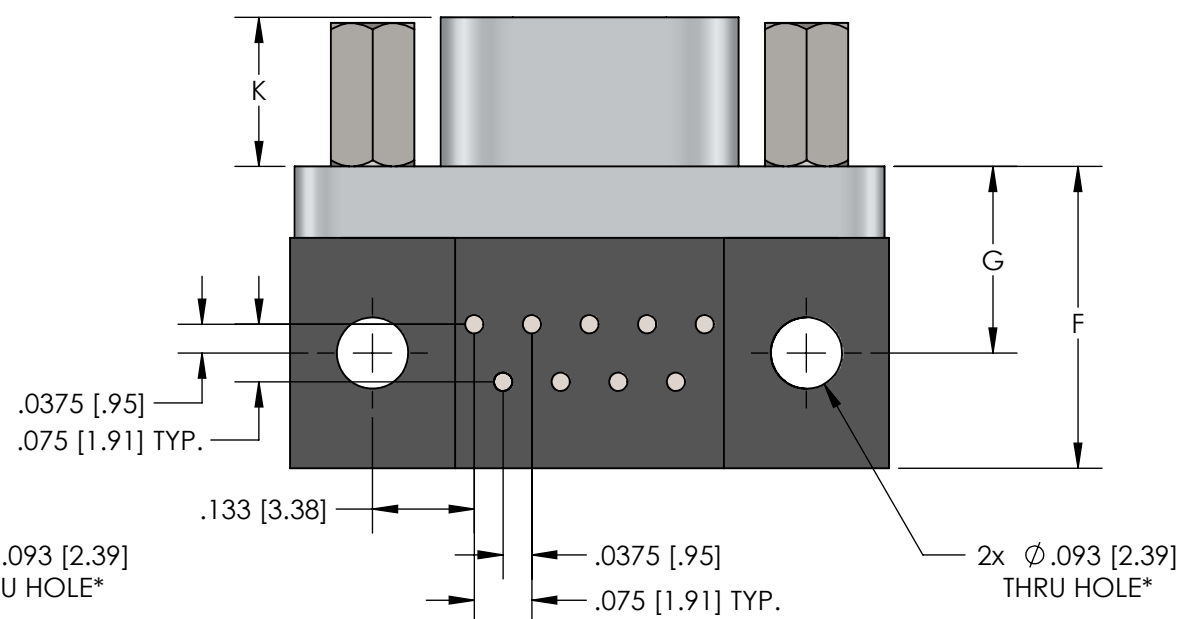
FRONT VIEW - PLUG (PINS)



FRONT VIEW - RECEPTACLE (SOCKETS)



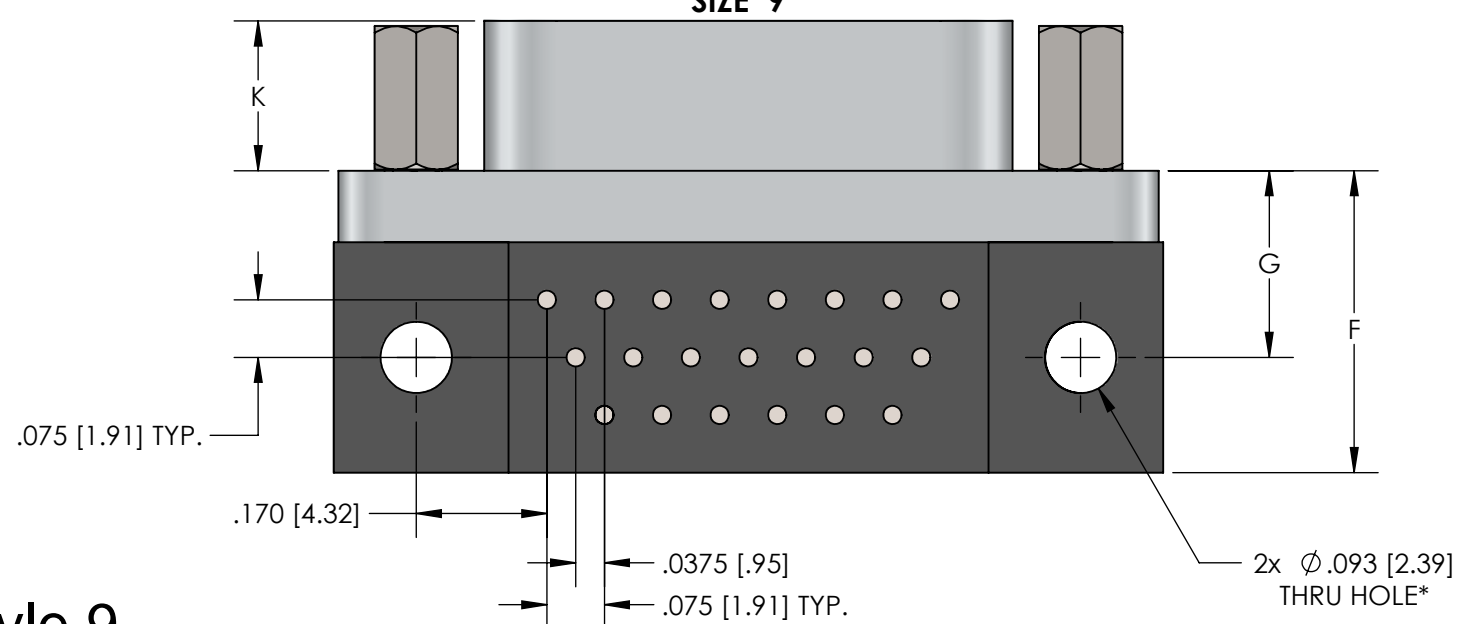
BOTTOM VIEW - RECEPTACLE  
SIZE 25, 31, AND 37



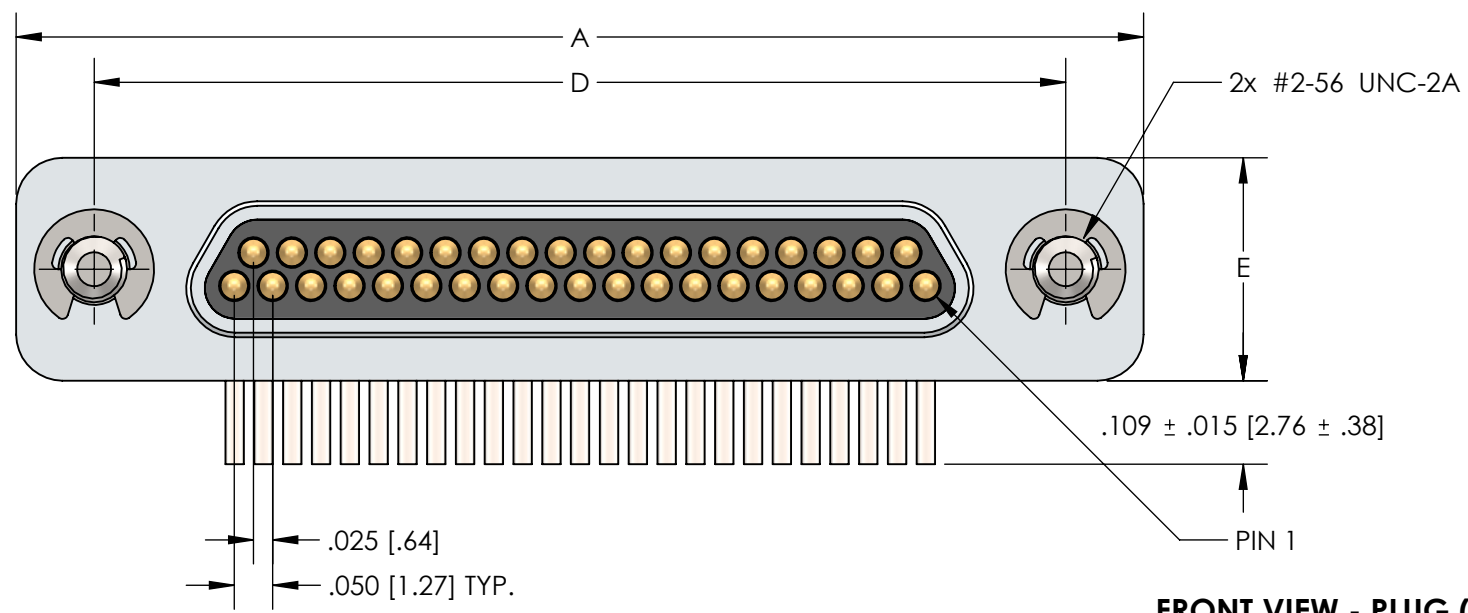
BOTTOM VIEW - RECEPTACLE  
SIZE 9

\*#2-56 THREADED INSERTS AVAILABLE IN PLACE OF THRU HOLES

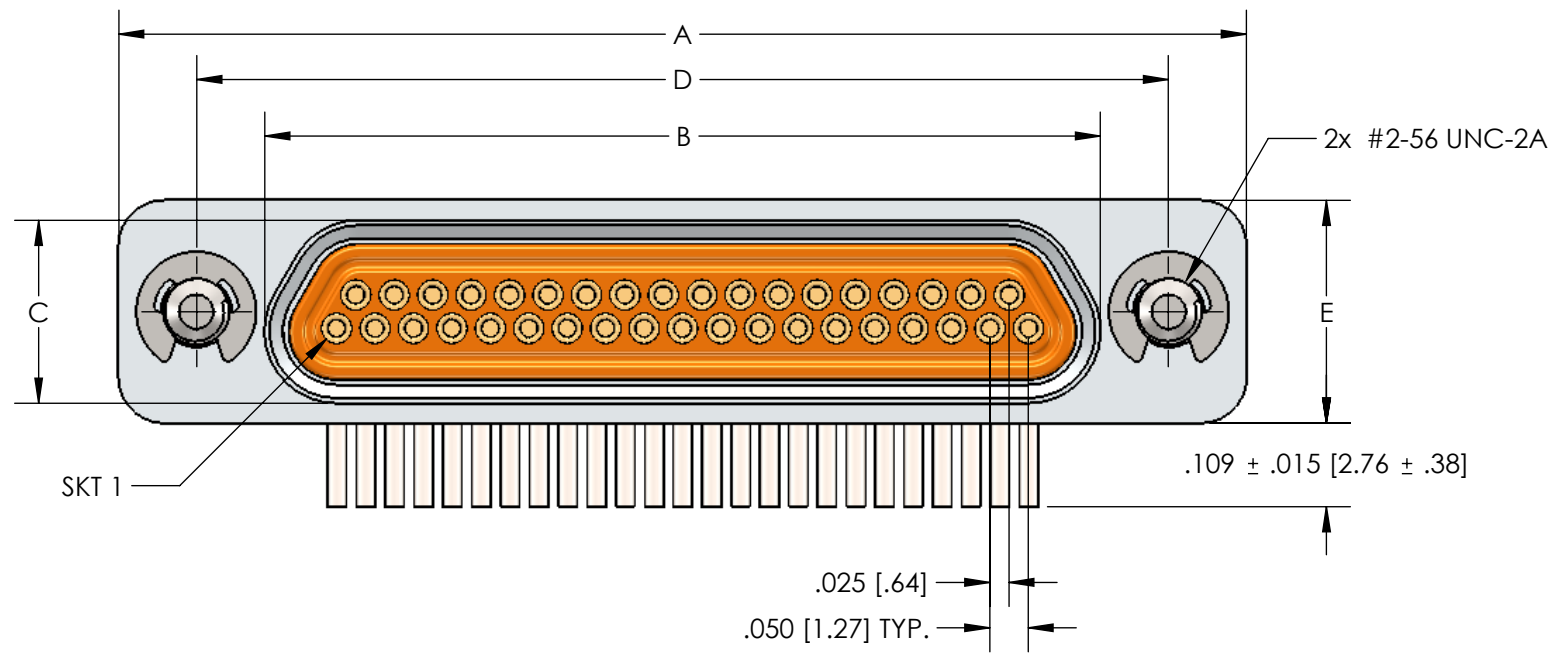
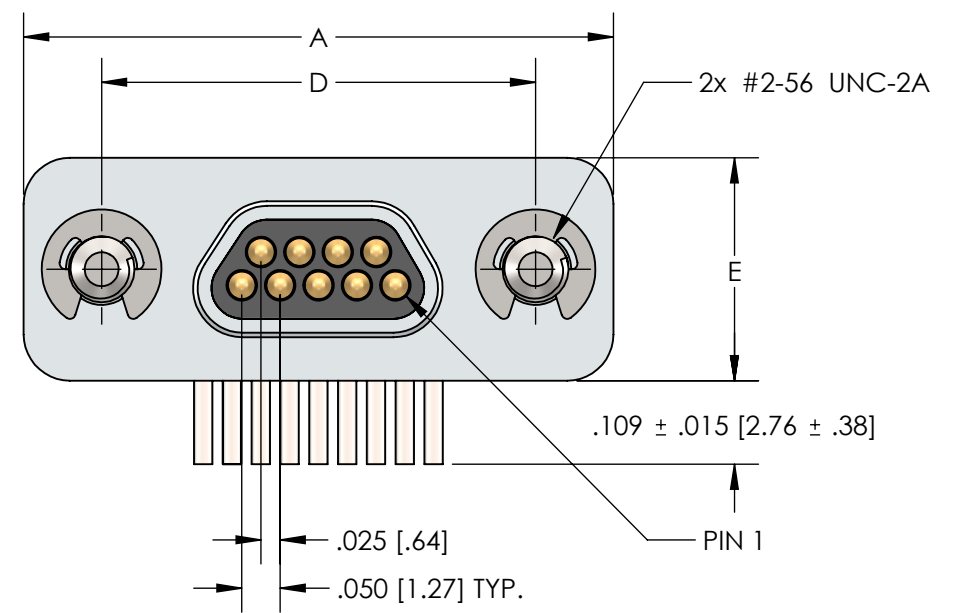
Style 9



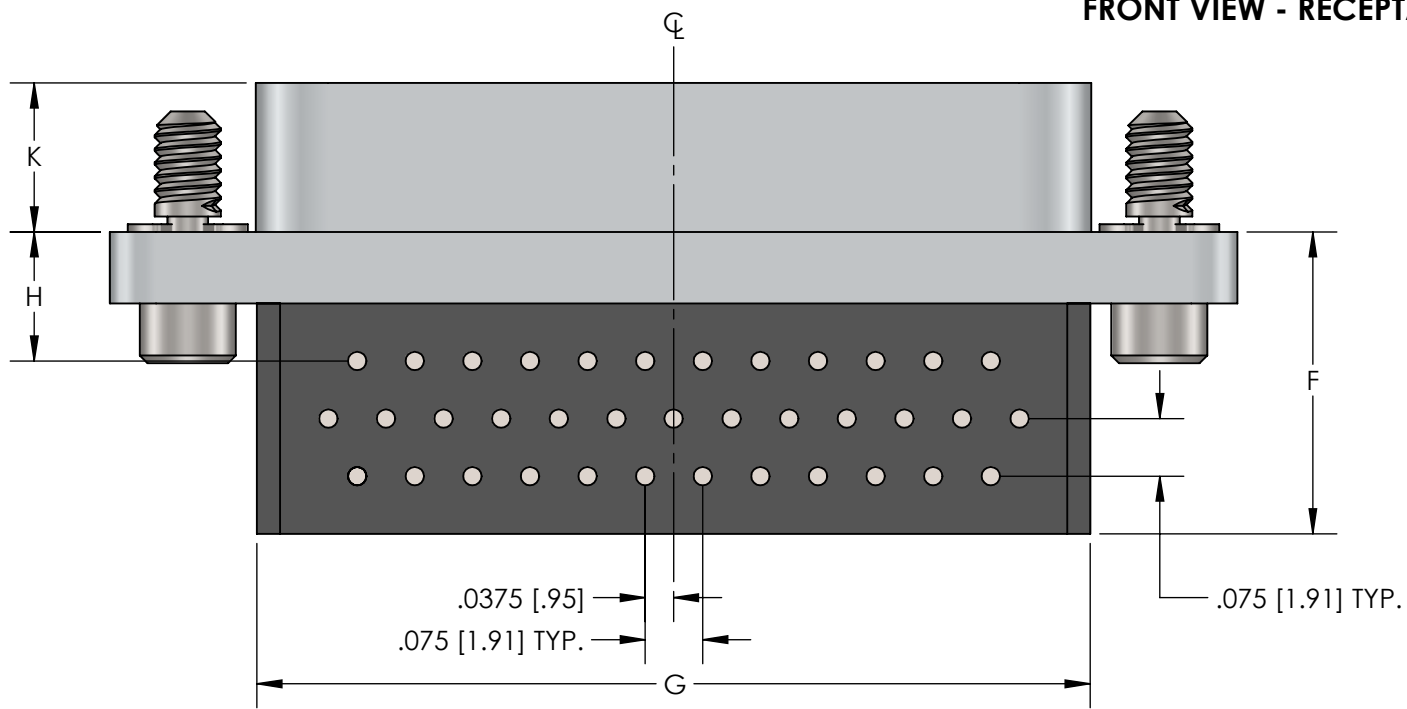
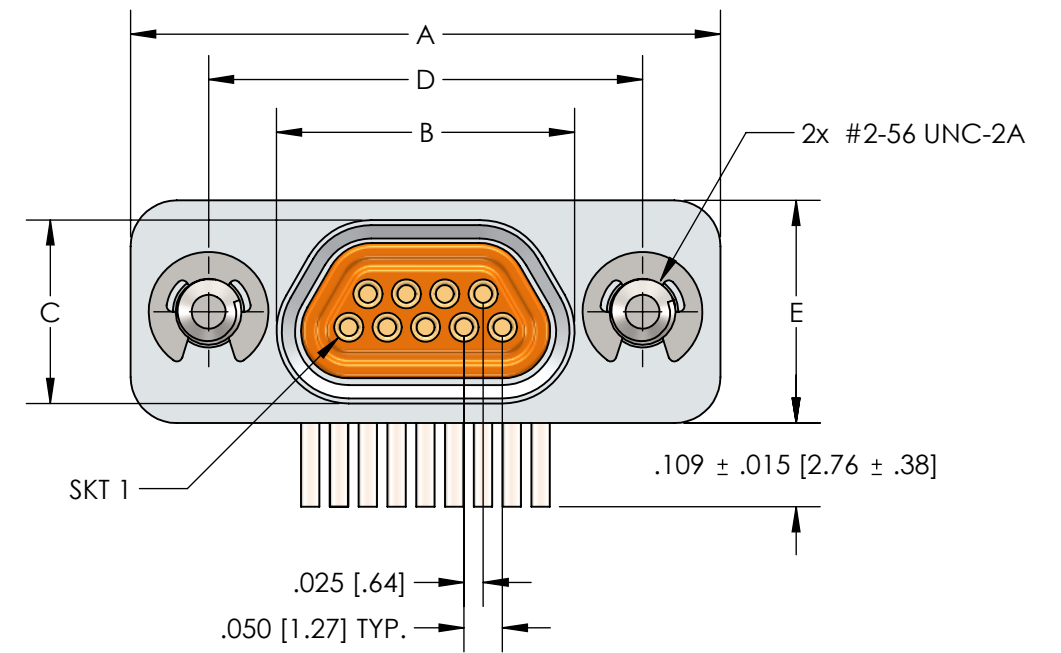
BOTTOM VIEW - RECEPTACLE  
SIZE 15 AND 21



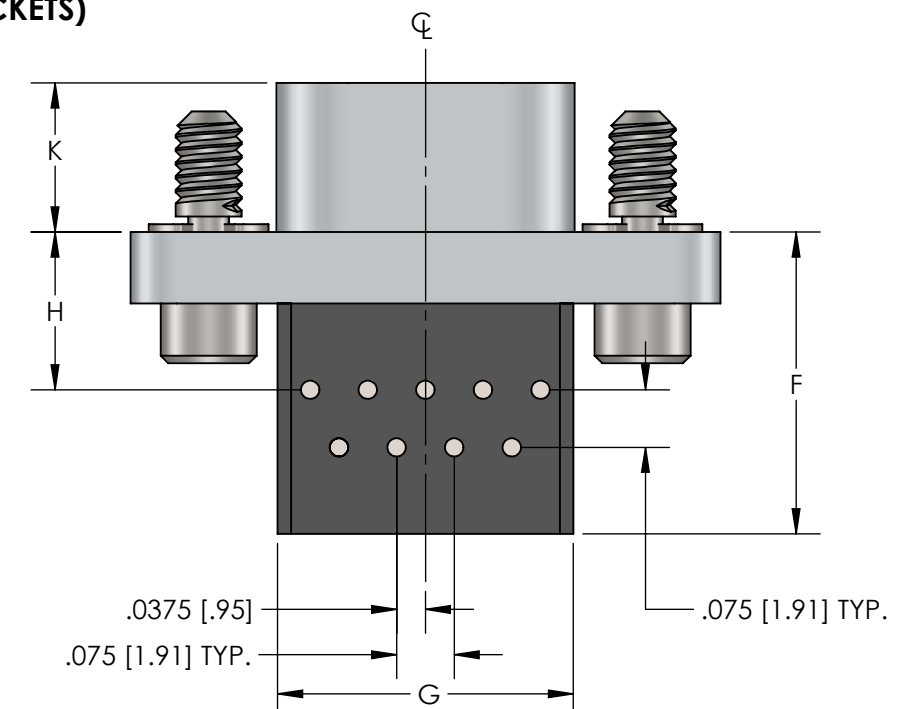
**FRONT VIEW - PLUG (PINS)**



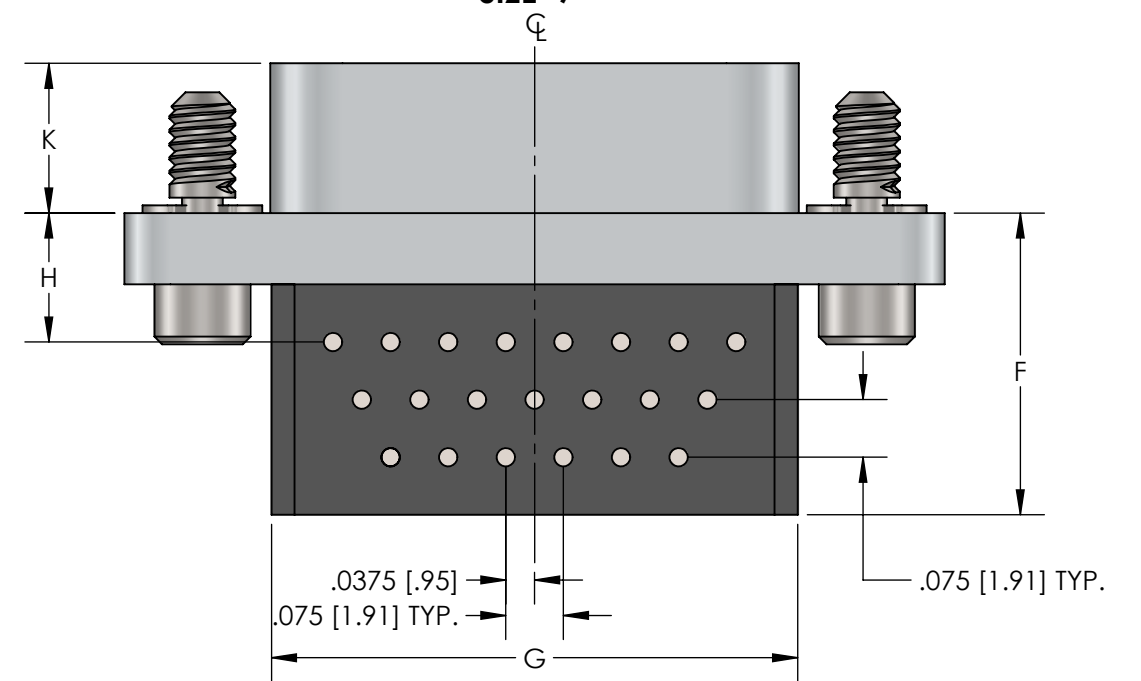
**FRONT VIEW - RECEPTACLE (SOCKETS)**



**BOTTOM VIEW - RECEPTACLE  
SIZE 25, 31, AND 37**



**BOTTOM VIEW - RECEPTACLE  
SIZE 9**



**BOTTOM VIEW - RECEPTACLE  
SIZE 15 AND 21**

**Style 19**